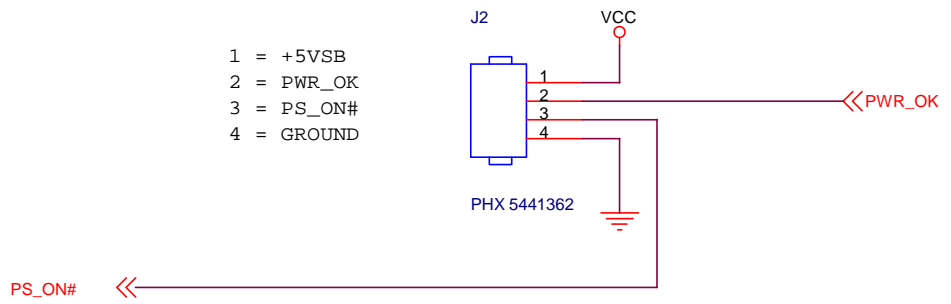
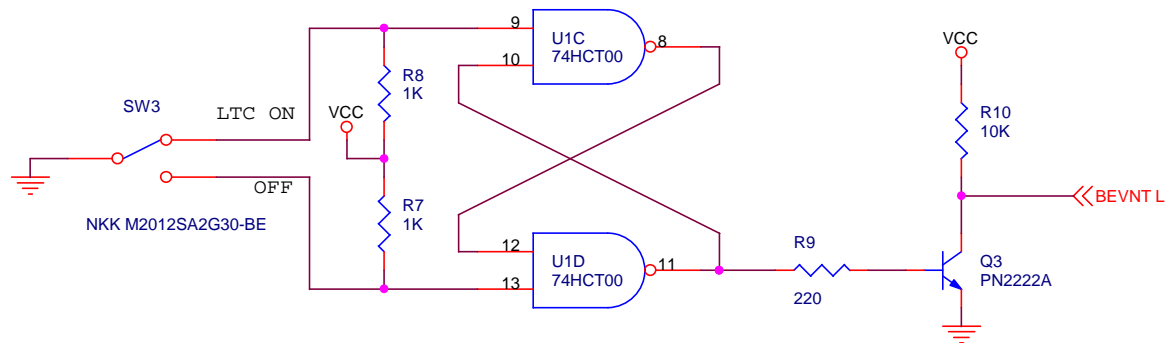
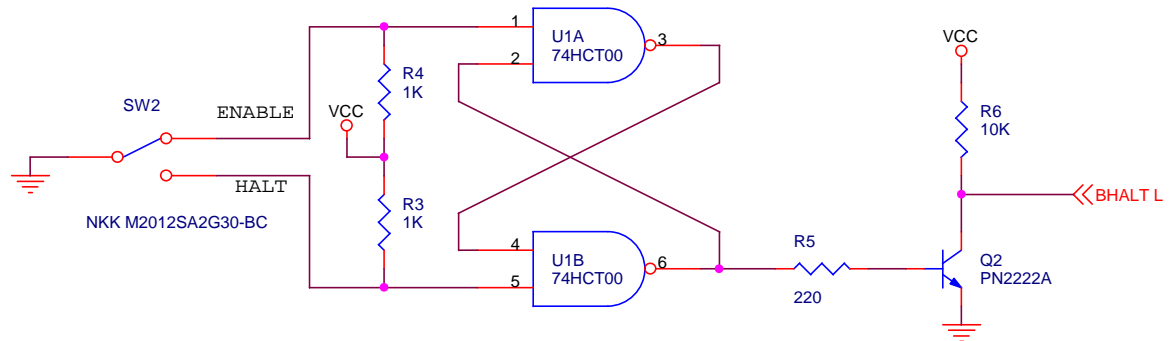
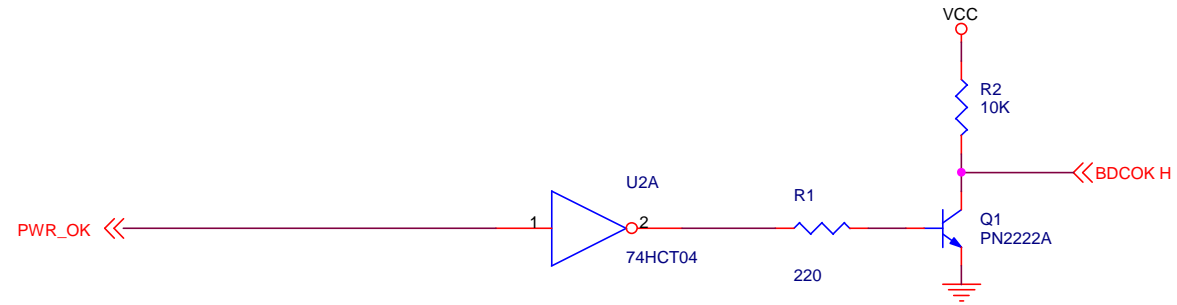


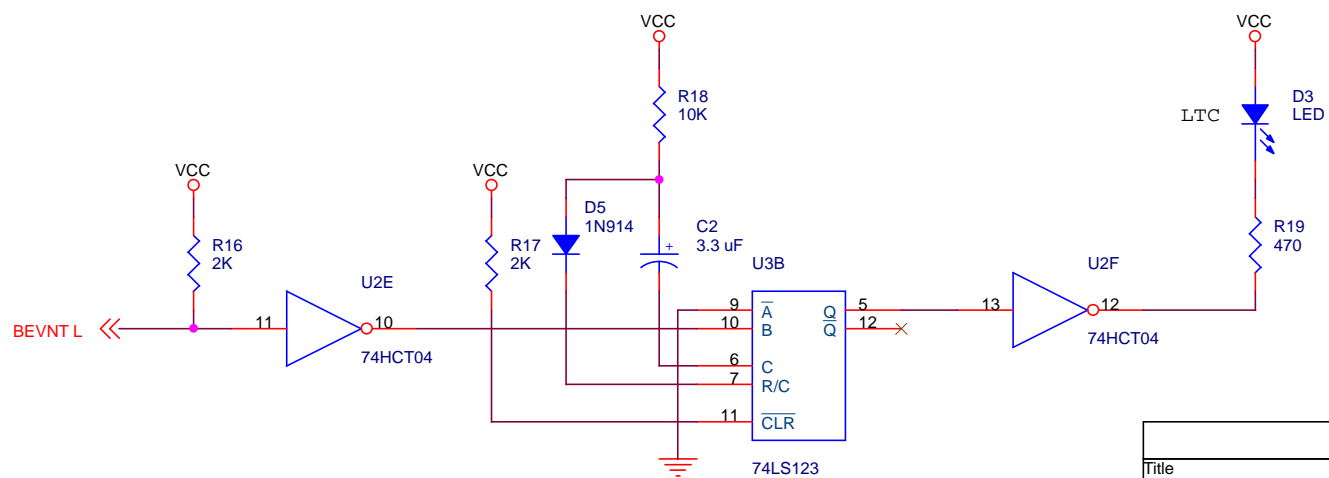
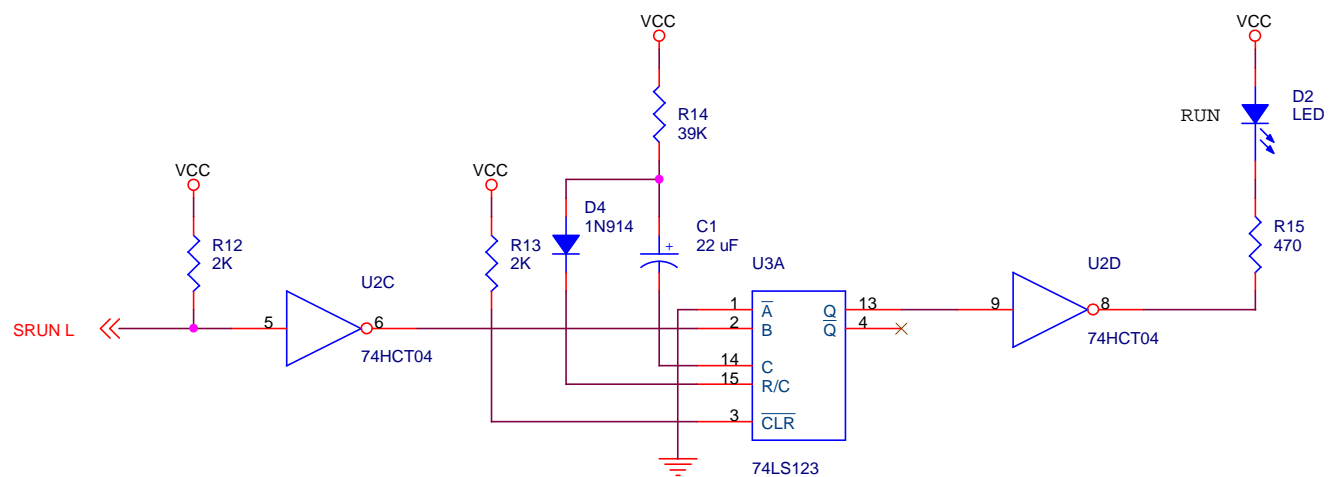
- MH1
- MH2
- MH3
- MH4



Title		
CONNECTORS		
Size	Document Number	Rev
A	20141024	B
Date:	Saturday, December 06, 2014	Sheet 1 of 3



Title		
SWITCHES		
Size	Document Number	Rev
A	20141024	B
Date:	Saturday, December 06, 2014	Sheet 2 of 3



Title		
LIGHTS		
Size	Document Number	Rev
A	20141024	B
Date:	Saturday, December 06, 2014	Sheet 3 of 3